



ATOSA USA

"WE MAKE THE KITCHEN BETTER!"

Toll Free: 855-855-0399 Email: info@atosausa.com
www.atosa.com | www.atosausa.com
 California, Colorado, Florida, Georgia, Illinois,
 Massachusetts, New Jersey, Ohio, Texas, Washington

Welding Hand Wash Sinks MRS-HS-18

Standard Features

- 18 Gauge, 300 series stainless steel
- 6" Backsplash with 2" return
- Goose neck faucet included
- 1-1/2" drain opening
- 1-1/8" faucet holes on 4" centers
- 1-1/2" waste drain opening
- Strainer and faucet included
- Z-clip mounting bracket
- Easy to clean and sanitize

Options

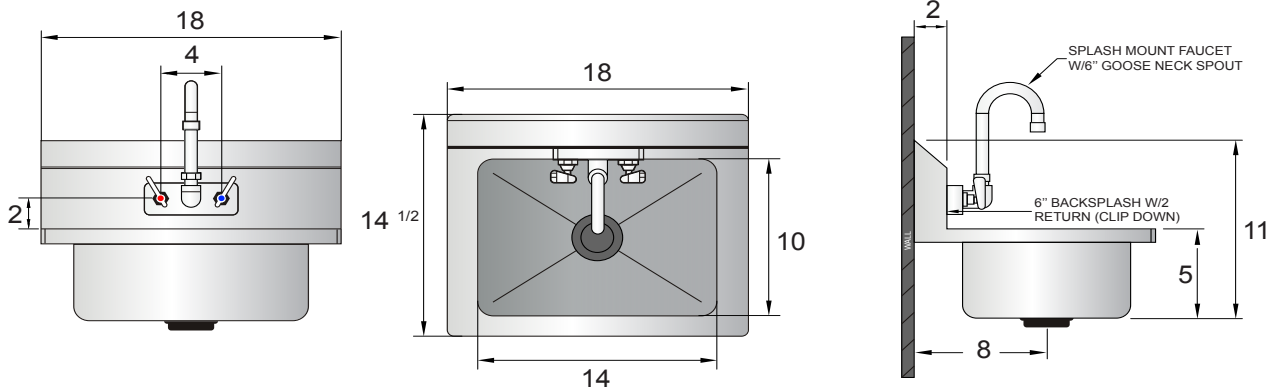
- Side Splashes

MODELS:
MRS-HS-18



Model	Ga.	Bowl Size (LxDxH)	Length (L)	Depth (D)	Height (H)	Net Weight (lbs)
MRS-HS-18	18	14 x 10 x 5	18	14 1/2	11	13

PLAN VIEW



90 DAYS WARRANTY ON WORKMANSHIP

